

33 ELITE PLUS WOOD BURNING FIREPLACE INSERT



*Shadowbox™ face
with concealed
convection grills
and single piece
surround panel.*

HEAT WITH THE ELITE (PLUS)

Turn Your Old Inefficient Fireplace Into A Reliable Source of Heat!

Burning wood in an open fireplace is just about the most inefficient way to heat your home. In fact, you actually lose more heat up the chimney than you provide for your home. The 33 Elite Plus wood burning fireplace insert can convert your wasteful masonry or zero clearance (metal) fireplace into a super-efficient heat source that can provide reliable heat at a fraction of the cost of electricity or oil.

33 ELITE PLUS WOOD BURNING FIREPLACE INSERT



*Classic Arch™
gracefully
arched black
painted face*

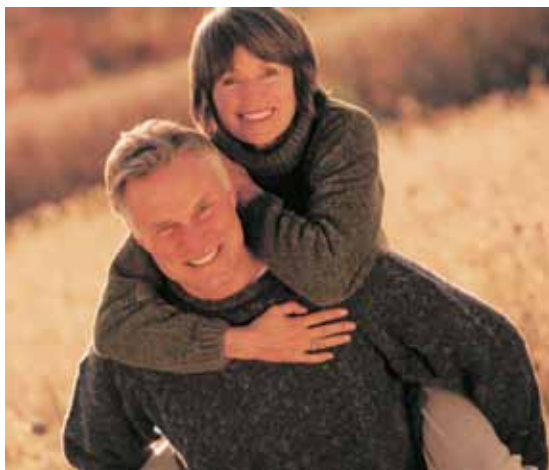
The high-performance heat and exclusive flush-to-the fireplace design of the 33 Elite insert are truly out of the ordinary. The single door of the unit comes in both arched and rectangular models and features a huge fire-viewing area of 250 square inches. The glass maintains its clarity and cleanliness thanks to our unobstructed air wash system.

Easy To Live With

Operation is as easy as a push of a button. A single air control allows you to set the fire to your desired setting. The 33 Elite is also one of the only wood burning inserts to feature a bypass damper that lets you open the flue before starting or reloading your wood making fire start-up a snap and preventing smoke spillage into your home.

Fight Back On High Heating Bills!

Cut back on heating bills by burning wood, one of the oldest and still most efficient ways to heat your home. The clean burning non-catalytic hearth technology found in the 33 Elite Plus is one of the most cost effective and dependable ways to provide warmth to your home and save money on fuel.



Efficient and Clean Burning!

The 33 Elite Plus is designed to deliver the maximum heat from the wood you burn. Using 1/4" thick plate steel and real masonry firebrick lining in the firebox and baffle, the unit maintains high operating temperatures which not only allows for a very clean burn, but also remarkable heat transfer. This heat is evenly distributed throughout your home using a five-sided convection chamber and the standard twin 90 CFM convection fans. The 33 Elite is designed to provide heat for as long as 10 hours on a single load of wood and heat up to 2,000 square feet. This clean, green and ultra-efficient fireplace insert is clean burning, non-catalytic, and boasts 76.9% efficiency and an EPA certified 4.4 grams per hour.

American Made!

The 33 Elite Plus fireplace insert is premium quality with a long lasting value. The insert is American made and created out of only the highest quality materials such as heavy gauge steel (up to 5/16" thick), unibody firebox, real masonry brick, one piece seamless flue and stainless steel baffle and air tubes. All of this contributes to the durability and longevity of the product which is backed by Fireplace Xtrordinair's "Real World" Seven Year warranty.

For Rectangular Door Insert

Black Painted Shadowbox™ face with concealed convection grills and single piece surround panel.



Bronze Painted Shadowbox™ face with concealed convection grills and single piece surround panel.



Metropolitan™ face with convection grills



For Arched Door Insert

Classic Arch™ gracefully arched black painted face.

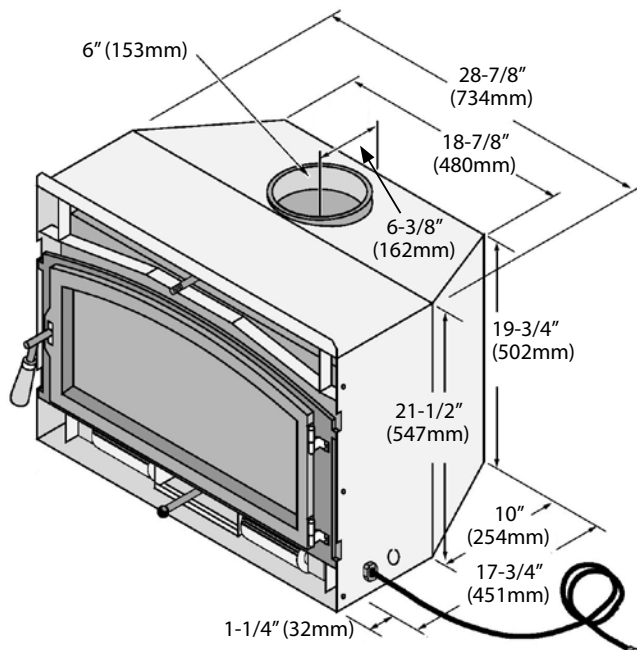


Artisan™ hand-forged, hand-hammered iron face.



33 ELITE PLUS WOOD BURNING FIREPLACE INSERT

EPA Phase II Approved 4.4 Grams/Hour	Maximum Btu's Per Hour 73,300	Overall Efficiency 76.9%	Heating Capacity 1,200 to 2,000 Sq. Ft.*	Up To 10 Hour Burn Time	Accepts Wood Up To 24"	2.2 Cubic Foot Firebox	Heavy Gauge Plate Steel Construction 5/16" & 1/4"	Kiln-Fired Masonry Lined Firebox and Baffle	Twin 90 CFM Convection Blowers Standard
---	----------------------------------	-----------------------------	---	-------------------------	------------------------	------------------------	--	---	---



Installation

We suggest that you have an authorized Fireplace Xtordinaire dealer install your fireplace insert. If you install the fireplace insert yourself, your authorized dealer should review your installation plans.

The 33 Elite Plus Wood Insert is designed for installation in masonry fireplaces and factory-built metal (Z.C.) fireplace. Check with your local building officials for any permits required for installation of this fireplace insert and notify your insurance company before proceeding with installation.

The 33 Elite Plus must be installed with either Positive Flue (full chimney reline) or Direct Connect Flue (See Owner's Manual for details).

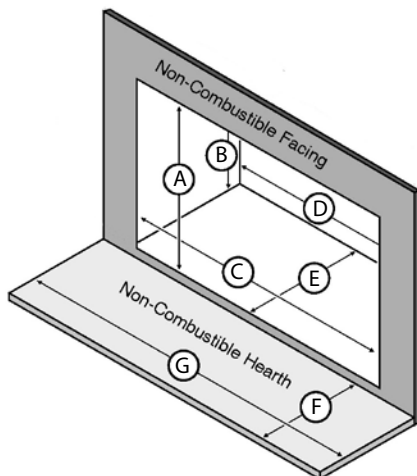
Testing

Tested and certified by OMNI-Testing Laboratories Inc. Report # 028-S-54-2, Safety Tested to U. L. 1482

* Heating capacity may vary depending on degree of home insulation, floor plan and ambient temperature zone of the area you live.

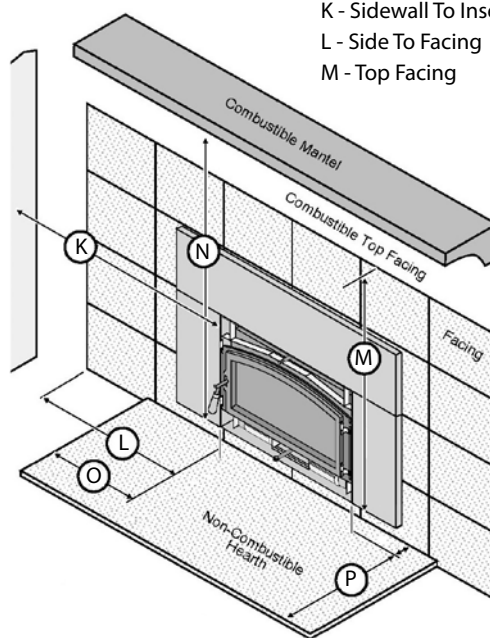
Minimum Fireplace Size

A - Height (Front)	21-1/2"
B - Height (Rear)	19-3/4"
C - Width (Front)	30-7/8"
D - Width (Rear)	18-7/8" (Masonry) 20-7/8" (ZC)
E - Depth	19" (Masonry) 20" (ZC)
F - Hearth Depth	16" (US) 18 (CAN)
G - Hearth Width	44-7/8"



Minimum Clearances to Combustibles

K - Sidewall To Insert	9"	N - Mantle (Max 8" Deep)	41-1/2"
L - Side To Facing	9"	O - Hearth (Side)	8"
M - Top Facing	39"	P - Hearth Depth	16" US 18" CAN



Surround Panels for Rectangular Door Insert

Designed to finish off the fireplace opening behind the face. No Trim. Two sizes.

- 42" Wide x 30 1/2" Height
- 44" Wide x 34" Height

Surround Panels for Arched Door Insert

The three-piece surround panel designed to finish off the fireplace opening. Surround panels can also be custom cut to fit the inside dimensions of your fireplace opening. These panels come with black panel trim.

- 8" Panel Set - Covers 45 1/2" Wide x 29 1/2" Height
- 10" Panel Set - Covers 49 1/2" Wide x 31 1/2" Height
- 12" Panel Set - Covers 53 1/2" Wide x 33 1/2" Height



fireplacextordinaire
Rediscover Fire

Visit us online: www.fireplacex.com