

Hampton® GCI60 & GC60

Pellet Insert & Stove



The latest additions to the Hampton Collection are the Cast Iron Biomass Pellet Stove and Insert. These two environmentally-friendly heaters combine all of the best features of traditional cast iron with the latest developments in alternative fuel technology. Both the freestanding pellet stove (GC60) and fireplace insert (GCI60) can burn wood pellets, corn, wheat & barley at maximum efficiencies for very cost effective home heating. The Hampton Pellet Stove and Insert are designed to meet the strictest clean air standards while requiring little maintenance.

Specifications	GCI60	GC60
BTU input (on high)*	55,000	55,000
BTU input (on low)*	10,000	10,000
Optimum efficiency	83.5%	76.6%
Emissions (grams/h)	1.0 g/hr	2.0 g/hr
Fuel capacity (hopper size)	60 lbs.	60 lbs.
Burn time (typical)	up to 36 hrs.	up to 36 hrs.
Room Size / Area Heated**	up to 2500 sq. ft.	up to 2500 sq. ft.
Weight	495 lbs.	500 lbs.
Max. Power usage (ignitor on)	600 Watt	600 Watt
Operating Power usage	200 Watt	200 Watt
Vent Size	4"	4"
Viewing Area	232 sq. in.	232 sq. in.
Min. Fireplace Opening	GCI60	
Width (front)	27"	--
Height	23"	--
Depth	16-1/2"	--



Standard Features

- Biomass pellet stove/insert includes the ability to burn a variety of pellet fuels - high grade to low grade wood pellets, corn, wheat & barley
- Durable cast iron exterior provides both beauty and radiant heat
- Most impressive pellet flame in the industry
- EPA Certified
- Low maintenance burner (patent pending technology) with agitator rod in the burn pot
- Reduced cleaning intervals compared to other pellet stoves
- Quick start automatic (400 watt) ignitor with air pump

Standard Features (cont'd)

- Quietest pellet stove in the industry (40 – 45 dB at 10 ft. away)
- Decorative and durable fluted cast iron firebox liner (GC60 only)
- Standard wall thermostat
- Concealed, easy-to-use controls with Tri-mode operating system (Manual – Hi/Lo – Auto/Off)
- Advanced Air Wash System for cleaner glass
- Mobile Home Approved

Optional Features

- Wireless Digital Wall Thermostat or Remote Control
- Ceramic One Piece Log Set
- Outside Air Kit

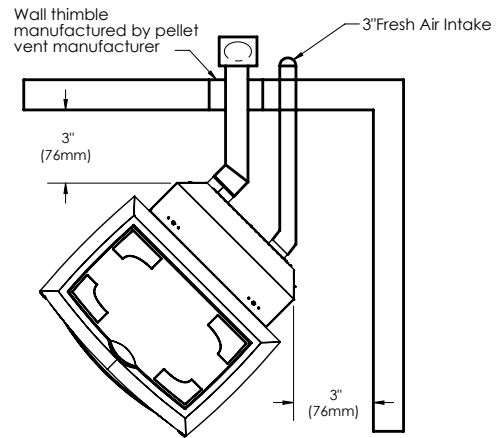
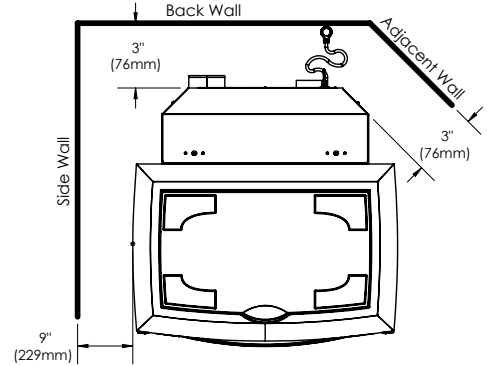
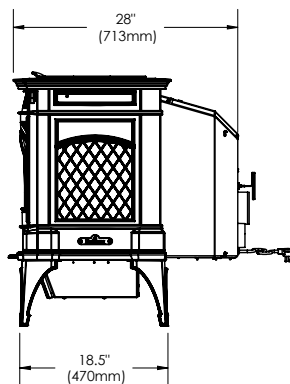
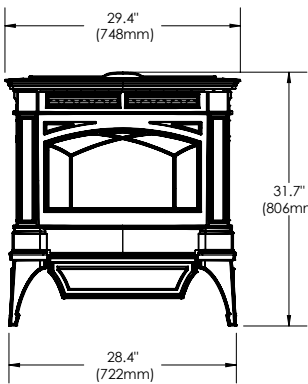
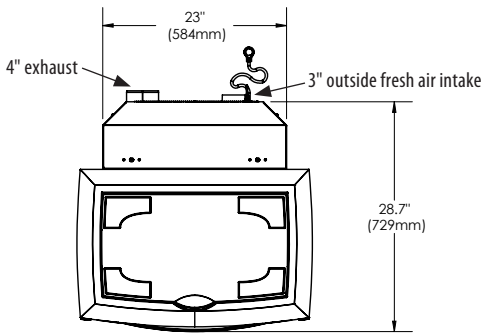
* Figure will vary considerably with individual conditions and fuel quality.

** Figure will vary considerably with floor plan, house layout / heat loss of the house and quality of pellets used. Due to on-going product development, product appearances and specifications are subject to change without notice.

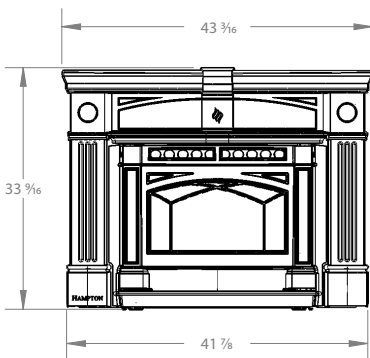
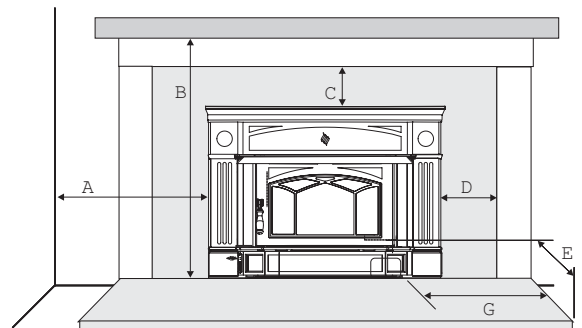
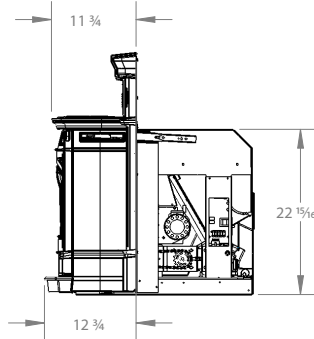
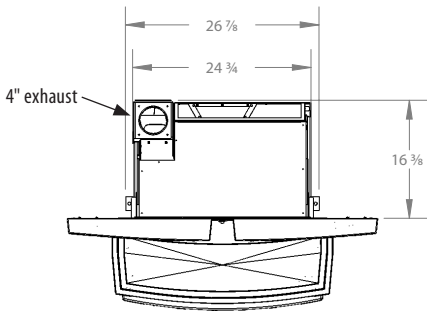
Hampton pellet stove/insert have been approved for mobile home installations once certain criteria are met. These units must be installed by a qualified dealer.

Hampton® Pellet Products

pellet stove (GC60)



pellet insert (GC160)



Masonry & Factory Built Fireplace Clearances

The minimum required clearances to combustibles materials when installed into a masonry fireplace are:

	Adjacent Side Wall (from center)	Mantel (12") (bottom unit)	Top Facing (top faceplate)	Side Facing (3/4") (to side faceplate)	Min. Hearth Extension (from door opening)	Adjacent Side Wall (side faceplate)	Min Hearth Side Extension (from side of unit)
	A	B	C	D	E	F	G
GC160	24"	33"	0	0	6"	2"	6"