

GreenSmart™ Gas Fireplaces



Avalon™ GreenSmart™ Gas Fireplaces



Designed For Your Lifestyle

As America's premier builder of custom hearth products for over three decades, Avalon has adapted a number of traditional and regional designs into today's fireplaces. These timeless designs offer you a diversity of American architecture to choose from when customizing your fireplace.

Avalon fireplaces are available in a range of sizes for small, medium and large sized homes. You can also use a fireplace to Zone Heat a portion of your home, which is a popular and economical way to use your Avalon fireplace.

If you love the look and ambiance of a wood fire, but do not have the time or desire to handle wood, then consider one of the beautiful and high efficiency gas burning appliances from Avalon.

Convenient Heat, Beautiful Flame

Known for our attention to design and craftsmanship, Avalon fireplaces are crafted for performance and beauty. All our fireplaces feature innovative and award winning gas burner technology that make your fire look as warm and realistic as possible. Without a doubt, our advancements in burner technology, hand-carved logs with glowing embers or rock and gas combination produce the most beautiful and realistic gas fires ever designed. All Avalon fireplaces are furnace rated as, which means they are high efficiency appliances and deliver serious heat.

Real World Warranty

Your gas fireplace is backed up by a network of Specialty Hearth Dealers and certified factory trained installers. Avalon warrants our gas fireplaces to be free from defect in material and workmanship for a period of seven years from date of purchase.

YEARS 1 through 2: All parts and electronics (except paint, gasket and Accent Light bulbs) - Parts and Labor.

YEARS 3 through 5: The firebox assembly and convection heat exchanger - Parts and Labor.

YEARS 6 through 7: The firebox assembly - Parts only

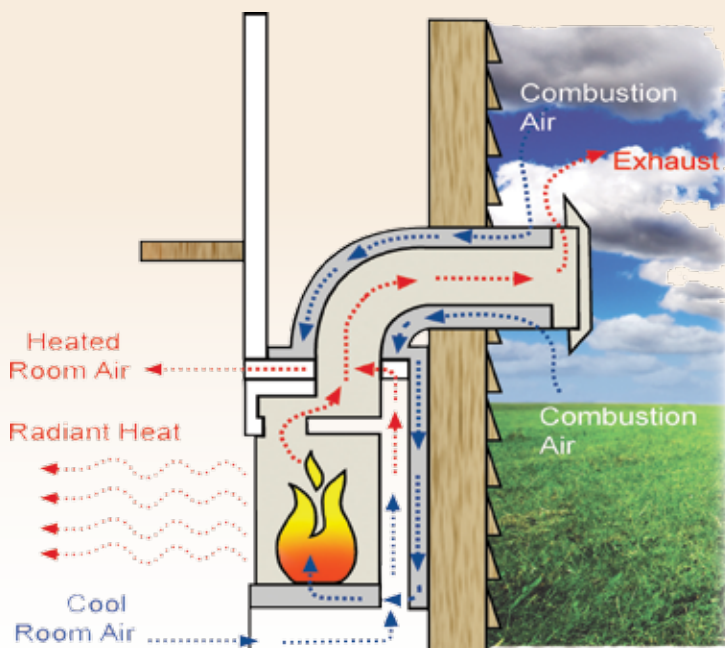
Trim and faces are covered for defect in material and workmanship for a period of one year.

This is better than a "Limited Lifetime Warranty", just compare!

We Only Make Direct Vent Gas Fireplaces

All Avalon gas appliances feature only the safest and most efficient type of gas venting, the Direct Vent System.

The Direct Vent System draws outside air into a SEALED firebox for combustion, and vents the by-products of that combustion to the outdoors, which helps maintain indoor air quality. This safe, sealed system is the only gas venting system we use on all Avalon gas products.





*Seattle HO fireplace
shown with Basic
Grill face, Black
Enamel Fireback and
Fyre-Stone log set.*

Hideaway™ Small Portrait-Style Fireplaces

Bungalow™ double door face with Rock Creek fireback.



SEE VIDEO
of this product burning



Web address:
vimeo.com/29162729

The Hideaway™ portrait-style gas fireplace is as inviting and convenient as its name suggests. Available in three designer faces and with the choice of standard Black Painted, Herringbone Rumford™, Rock Creek™ or Black Enamel interiors, the Hideaway is as versatile as it is beautiful. The Hideaway comes standard with an Accent Light to provide a warm glow to the interior of the fireplace even when the fire is off.

The Hideaway works great for corner or limited space installations in small intimate settings such as bedrooms, baths, dining rooms, foyers or kitchens. You have the option of installing the Hideaway as a top vent or rear vent. Compact and easy to install, its applications are limited only by your imagination! In most cases it can be installed in as little as one afternoon.

Featuring the award-winning Ember-Fyre burner and hand-carved logset, the Hideaway TRV produces a fire so realistic it's often mistaken for a real wood fire. Need a little extra heat? Add the optional, quiet 90 CFM convection fan to circulate heated air throughout the room. Other options include choice of interior firebacks, wall thermostat, basic remote or the GreenSmart™ modulating remote control.

Heating Capacity:* Up To 650 Sq. Ft. with fan	Maximum Btu/Hr. Input: 16,500 (NG) 16,500 (LP)	Minimum Btu/Hr. Input: 3,780 (NG) 3,150 (LP)	Steady State Efficiency Rating:* 82.2% (NG) 79.5 % (LP)	Canada EnerGuide Efficiency Rating: 65.2% (NG) 69 % (LP)	Glass Dimensions: 17-5/8" W x 23-1/4" H (394 Sq. In.)	Face Dimensions: 21 1/8" W x 35 1/4" H
---	---	---	--	---	---	--

*Gas appliance performance can be affected by negative pressure in the home and by prevailing atmospheric conditions. Efficiency may vary depending on vent configuration and atmospheric conditions.

Tree of Life cast double door face with optional Black Enamel fireback.



Perfect for small intimate settings such as bedrooms, baths, dining rooms, foyers or kitchens.

The Hideaway TRV features the revolutionary GreenSmart system with Comfort Control™ that offers a wide heating range for true year-round flexibility. The Hideaway can be adjusted from a high of 16,500 Btus an hour to a low of 3,780 Btus on NG and 3,150 Btus on LP.

Decorative Face Options



Victorian Lace
Black Painted



Bungalow
Charcoal Powder
Coated



Tree of Life
Black Painted
Cast Iron

Interior Fireback Options



Rock Creek
Fireback



Rumford Herringbone
Fireback



Black Enamel
Fireback

Face, Fireback and Andiron Options

Our Gas Fireplaces Offer a Selection of Different Faces, Firebacks and Andirons to Finish the Look of Your Fireplace

No matter which model you select, Seattle or Winthrop, you have all these beautiful faces, firebacks and andirons to choose from. These high quality and durable options can be updated and changed as your decorating taste changes over time.

Face Selections

Basic Grill



This face comes with a black painted glass frame. You can upgrade this face with the optional Nickel Glass Trim as shown.

Victorian Lace™



This face comes in a black paint finish and features a finely detail grill pattern.

Rosario™



This face come in a black paint finish. You can upgrade this face with the optional Nickel Glass Trim as shown.

Bungalow™



The Bungalow Double Door Face comes in a textured charcoal powder coated finish with basketweave grill insets.

Bungalow™



Same Bungalow Face as pictured on the left but shown with the included screen inserts that can be interchanged with basketweave insets.

Tree of Life™



The Tree of Life Double Door Face comes in a powder coated textured bronze finish and features an organic tree motif.

Fireback Selections

The fireplace ships with a black painted interior. Firebacks are an option that can be added to enhance the beauty of the fire and logset. Please note the Seattle HO and Winthrop HO fireplaces require firebacks.

Common Brick



Herringbone Brick



Reclaimed Brick



Rock Creek Stone



Stainless Steel



Black Enamel



*The stainless steel will patina with heat.
Not available for the Winthrop HO.*

Cast Andirons- Optional

Stylize the interior of your fireplace with one of these beautifully designed andiron sets. They add another touch of wood fire realism to your fireplace and look stylish even when the fire is off. (Not available on the Seattle Diamond-Fyre).

For the Seattle

For the Winthrop



Traditional Ring



Traditional Urn



Lodge Ring



Wrought Iron



Colonial



Arabesque

*Victorian Lace
face shown with
Rock Creek
fireback.*



Seattle™ Space Saver



SEE VIDEO
of this product burning



Web address:
vimeo.com/17605037

*Bungalow face and
Reclaimed brick fireback.*

Practical, efficient and beautiful - The Seattle Space Saver is known for radiant and convective heat designed to warm spaces without overheating. This model is ideal heat for bedrooms, offices and intimate spaces and the firebox measures only 16-1/4" deep allowing for even more installation opportunities. The Seattle features the two-stage Dancing-Fyre gas burner with Comfort Control™ providing maximum flexibility of your heat and flame from 20,500 Btu's to 5,100 (with natural gas) offering a 75% turn down range! A series of personalized options are available from the simple grill package to a choice of four distinctively beautiful faces. Additionally, firebacks are offered in six unique designs for complete customization. Interior accent lights come standard for year round enjoyment with or without the fire.

Heating Capacity: Up To 950 Sq. Ft.	Maximum Btu/Hr. Input: 20,500 (NG & LP)	Minimum Btu/Hr. Input 5,100 (NG) 4,200 (LP)	Steady State Efficiency Rating: 76.5% (NG) 78.3% (LP)	Canada EnerGuide Efficiency Rating: 67.7% (NG) 70.11% (LP)	Glass Area: 31 3/8" W 18 1/8" H (564 Sq. In.)	Basic Face Dimensions: 32 1/2" W 27 5/8" H
---	---	--	--	---	--	---

*Gas appliance performance can be affected by negative pressure in the home and by prevailing atmospheric conditions. Efficiency may vary depending on vent configuration and atmospheric conditions.

Seattle™ Diamond-Fyre

Basic Grill face with optional Nickel Glass Trim and Stainless Steel fireback.



SEE VIDEO
of this product burning



Web address:
vimeo.com/12380118

The linear flames and 564 square inches of fire viewing are the main focus of the Seattle Diamond-Fyre direct-vent gas fireplace. The design and craftsmanship are positively stunning, together with the fire and glowing under-lit glass media make this fireplace absolutely magical. Choose from either a clean black painted interior, or the luscious black enamel, or stainless steel fireback that subtly reflects the fire in a myriad of patterns. You have the choice of three colors of reflective glass media for the under-lit firebox floor: Platinum (white), Cobalt (blue) or Bronze (brown tones). If you want to make a statement with your fireplace then this stylish landscape fireplace will give your home the warmth and drama of a truly contemporary look and a more efficient heat source for your home.

Heating Capacity*
Up To
950 Sq. Ft.

Maximum
Btu/Hr. Input:
20,500 (NG & LP)

Minimum
Btu/Hr. Input
5,100 (NG)
4,200 (LP)

Steady State
Efficiency Rating*
76.5% (NG)
78.3% (LP)

Canada EnerGuide
Efficiency Rating:
67.7% (NG)
70.11% (LP)

Glass Area:
31 3/8" W
18 1/8" H
(564 Sq. In.)

Basic Face
Dimensions:
32 1/2" W
27 5/8" H

*Gas appliance performance can be affected by negative pressure in the home and by prevailing atmospheric conditions. Efficiency may vary depending on vent configuration and atmospheric conditions.

Seattle Diamond-Fyre™ with GreenSmart™ Technology

The Seattle Diamond-Fyre™ fireplace will heat an area up to 950 square feet with a maximum input of 20,500 Btus. The turn-down ratio of 75% to a low input of 5,100 Btus with natural gas or 4,200 Btus with propane allows great flexibility for year-round use.

The Split-Flow ribbon burner allows the left and right sections to be shut off leaving only the center portion lit for when the mood calls for a fire but the comfort level does not require as much heat.

Decorative Glass Media - Required

Beautiful decorative glass media comes in your choice of three colors. The reflective glass media is bottom lit with the adjustable accent light and together with the flames gives the impression of millions of glowing shimmering diamonds.



*Reflective Platinum
(White)*



*Reflective Bronze
(Brown Tones)*



*Reflective Cobalt
(Blue)*

Features

- GreenSmart System (pgs. 21 & 22) which includes both pilot ignition modes; GreenSmart™ Electronic Ignition for instant fire when you want it or Standing Pilot for colder climates where the pilot runs continuously when a heated chimney is needed to maintain the draft.
- Comfort Control™ that allows you to turn off the side burners for less heat when desired for year-round enjoyment of the fire while burning less fuel
- Standard Accent lighting shines up through the glass adding drama with the flame on or off.
- Concealment panel hides controls so they do not detract from the beauty of the fireplace.
- 9 volt battery powered LED lit control panel automatically lights up when you open the front access panel - operates even during power outages.
- Battery backup allows unit to be operational during power outages.
- Optional GreenSmart Remote Control gives you the choice of manual, thermostat or the very efficient “Smart” modulating thermostat. Plus the ability to operate the accent light, flame adjustment, Comfort Control™ and optional blower without getting up from your chair!

Firebacks - Required

Firebacks are required on the Seattle Diamond-Fyre fireplace. You have the option of adding the clean black painted, the dramatic stainless steel or black enameled interior firebacks that subtly reflect the flame and glowing floor media in a multitude of patterns.



Black Painted Fireback



Stainless Steel Fireback - Finish patinas with heat



Black Enamel Fireback

Seattle™ HO (High Output)

*Victorian Lace
Face, Black
Enamel Fireback
and Driftwood™
log set*



SEE VIDEO
of this product burning



Web address:
vimeo.com/28206014

This breakthrough fireplace offers a choice of three different burner options: the Award-Winning Ember-Fyre burner and 7-piece logset with embers, the entry level Dancing-Fyre burner with 6-piece logset, embers and black painted interior or the contemporary Diamond-Fyre II burner with choice of Fyre-Stone™ rock kit or Driftwood Fire Art™. The Seattle HO gas fireplace is sure to keep things warmed up year-round with a heat input of 35,000 BTU's and the ability to heat up to 1,400 square feet. This high efficiency fireplace offers a turndown ratio of up to 71% (NG) or 79% (LP). This gives you the ability to turn down both flame and heat so you can use the fireplace year round either as a great home heater or when you just want a beautiful flame without all the heat. The Seattle HO comes with standard convection fans with 180 total CFM.

Heating Capacity:* Up To 1,400 Sq. Ft.	Maximum Btu/Hr. Input: 35,000 (NG & LP)	Minimum Btu/Hr. Input 10,400 (NG) 7,500 (LP)	Steady State Efficiency Rating:*	Canada EnerGuide Efficiency Rating:	Glass Area: 31 3/8" W 18 1/8" H (564 Sq. In.)	Basic Face Dimensions: 32 1/2" W 27 5/8" H
			72% (NG) 73% (LP)	64% (NG) 66% (LP)		

Pick The Look That You Like!



Dancing-Fyre™



The classic Dancing-Fyre™ burner comes standard with six piece logset, grate and the required black painted fireback.

Ember-Fyre™

The award-winning Ember-Fyre™ burner comes standard with seven piece detailed logset, and grate. With this burner you have the choice of five different firebacks.

For the **Ember-Fyre™ Burner** you can choose one of the following firebacks.



Common Brick



Herringbone Brick



Reclaimed Brick

Rock Creek



Black Enamel

Diamond-Fyre II™

The contemporary Diamond-Fyre II™ burner comes with your choice of either Fyre-Stone™ Rock Kit or Driftwood Fire Art™. You also have the choice of Black Painted, Stainless Steel or luscious Black Enamel Firebacks to complete the look.

For the **Diamond-Fyre II™ Burner** choose one of the following metal firebacks.

Firebacks with Fyre-Stone™ Rock Kit



Fyre-Stone™ Rock Kit



Black Painted



Stainless Steel



Black Enamel

Firebacks with Driftwood Fire Art™ Log Set



Driftwood Fire Art™ Log Set



Black Painted



Stainless Steel



Black Enamel

Winthrop TRV - Top Vent/Rear Vent

*Bungalow
face with
optional
Reclaimed
Fireback*



SEE VIDEO
of this product burning



Web address:
vimeo.com/17605715

The Winthrop TRV is a highly efficient fireplace that features a 78% BTU turn down range from 31,000 to 6,700 giving it extraordinary heat flexibility. Designed to heat up to 1,400 square feet; this fireplace is ideal for moderate climates, zonal heating or providing a decorative flame in the home on summer nights as well as operating as a highly efficient heater. The glowing, wood-like fire of the two-stage Dancing-Fyre burner and 10-piece hand-carved ceramic log set can be viewed through 864 square inches of viewing glass. Customize your Winthrop by choosing from a variety of face styles, firebacks and andirons to compliment your home decor and create your perfect fire.

Heating Capacity: Up To 1,400 Sq. Ft.	Maximum Btu/Hr. Input: 31,000 (NG & LP)	Minimum Btu/Hr. Input 6,700 (NG) 5,200 (LP)	Steady State Efficiency Rating:* 80% (NG) 81% (LP)	Canada EnerGuide Efficiency Rating: 68.36% (NG) 67.79% (LP)	Glass Area: 36" W x 24" H (864 Sq. In.)	Basic Face Dimensions: 36 3/4" W 34 1/8" H
---	---	--	---	--	---	---

Winthrop ST (See-Thru)



*Shown with
Rosario face,
optional Nickel
Glass Trim and
Common Brick
Fireback*

SEE VIDEO
of this product burning

Web address:
vimeo.com/23510464

The two sided glass of the Winthrop ST gives you a total of 1,728 square inches of safety glass to view your fire (864 square inches per side). The elegantly detailed, hand carved, nine piece log set as well as the Dancing-Fyre burner make the rolling flames of this unit glow unlike any other. Producing up to 37,500 BTU's per hour with a 60% turn down ratio, the Winthrop ST has the capacity to heat up to 1,500 square feet providing even heat distribution on both sides of the fireplace. Adjust the height and intensity of the flame with the flame height control. You can even turn off flames from both sides leaving just the center flame for less heat creating your perfect fire. Turn on the Dual Accent Light to accentuate the glow of the burning fire or illuminate the interior of fireplace year round. Personalize the fireplace on each side to fit the decor of its surrounding room by choosing from a wide range of face upgrades and firebacks.

Heating Capacity:* Up To 1,500 Sq. Ft.	Maximum Btu/Hr. Input: 37,500 (NG & LP)	Minimum Btu/Hr. Input 14,700 (NG) 10,000 (LP)	Steady State Efficiency Rating:* 79.5 % (NG) 80.1 % (LP)	Canada EnerGuide Efficiency Rating: 70,77% (NG) 70.71% (LP)	Glass Area: 36" W x 24" H x 2 (1728 Sq. In.)	Basic Face Dimensions: 36 3/4" W 34 1/8" H
--	---	--	---	--	--	---

*Gas appliance performance can be affected by negative pressure in the home and by prevailing atmospheric conditions. Efficiency may vary depending on vent configuration and atmospheric conditions.

Winthrop™ HO (High Output)

Winthrop HO with Tree of Life™ double door face and Black Enamel fireback.



SEE VIDEO
of this product burning



Web address:
vimeo.com/14197621

Heat your home all year long with the Winthrop HO GreenSmart fireplace featuring the largest turn-down ratio of any fireplace on the market. Turn the fireplace on high for the coldest months of the year with a heat output of 46,700 BTU's. Turn off the back burner with the Comfort Control switch during the summer months to reduce input to 12,500 BTU's (NG) or 9,000 BTU's (LP). The standard 260 CFM Convection Blower increases the efficiency and rate of heat transfer from the fireplace into your home giving the Winthrop HO the ability to heat up to 2,500 square feet. The award winning Two-Stage Ember-Fyre burner provides life-like wood flames and pulsating embers unlike any other gas fireplace on the market. Simply turn on the standard accent lights to accentuate the interior of the fireplace and the glowing fire even further. Personalize your Winthrop HO by choosing from a variety of faces, firebacks and andirons to truly make it your own.

Heating Capacity: Up To 2,500 Sq. Ft.	Maximum Btu/Hr. Input: 46,700 (NG) and (LP)	Minimum Btu/Hr. Input 12,500 (NG) 9,000 (LP)	Steady State Efficiency Rating: 81.5% (NG) 81% (LP)	Canada EnerGuide Efficiency Rating: 71.57% (NG) 72.22% (LP)	Glass Area: 36" W x 24" H (864 Sq. In.)	Basic Face Dimensions: 36 3/4" W 34 1/8" H
---	---	--	--	--	---	---

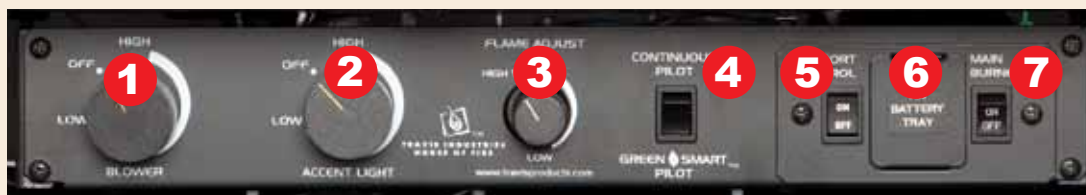
*Gas appliance performance can be affected by negative pressure in the home and by prevailing atmospheric conditions. Efficiency may vary depending on vent configuration and atmospheric conditions.

GREEN SMART™ Technology

The patent-pending GreenSmart™ System is the most innovative collection of components, controls and technology that when combined provides an elegant, smarter and greener way to heat your home. Innovative features like: accent lights, control panel lighting, Comfort Control, blower control and a choice of pilots come standard. An optional GreenSmart remote allows you to run the fireplace in “Smart Thermostat Mode” that adjusts the flame height based on the temperature setting – so the flame will modulate up/down automatically as opposed to shutting off/on like normal thermostats, thus conserving fuel and maximizing heating ability while extending the viewing pleasure of the fire.

Basic GreenSmart Control System

Your Avalon dashboard housing the manual controls, is located under the front of the appliance. It houses seven components and all but one, the pilot selection, can be operated by the GreenSmart remote:



All controls are clearly labeled with white silk-screened lettering for easy reading.

1. Convection Blower Control - ON/OFF and adjustable speed control.
The blower control is standard on the Seattle HO and Winthrop HO. This control will not be on the panel for the Seattle SS, Seattle DF, Winthrop TRV and Winthrop ST unless the optional blower is added.
2. Accent Light Manual Control - ON/OFF and brightness adjustment.
3. Flame Adjustment Control - Adjustable high to low setting for flame height and heat output.
4. Two Position Pilot Selection - Push up for continuous pilot and down for GreenSmart Pilot.
5. ON/OFF Comfort Control Switch - Turns ON/OFF rear burner (side burners on the Seattle Diamond-Fyre)
6. Backup Power Battery Tray - Keeps system operating during power outages.
7. Main Burner Switch - Turns your fireplace ON/OFF

Standard Interior Accent Light:

Accent lighting is a standard feature on all Avalon GreenSmart gas fireplaces. The accent light brightens the interior of the fireplace and can be operated even when the fire is off to give the fireplace a warm glow all year long, or used as a night light. The Seattle HO fireplace includes an additional overhead accent light for even more ambiance to the firebox interior.



864 TRV - with Accent Light OFF



864 TRV - with Accent Light ON

Avalon GreenSmart™ Gas Fireplaces



Glide-Away Closed



Glide-Away Open

Drop Down Concealment Door With Control Panel Lighting

The control valve and wires are hidden by our drop down concealment door to provide an elegant, finished appearance so your beautiful fireplace is the focal point, not the controls. The concealment door conveniently opens and closes for easy access to the controls. When the concealment door is opened, control panel lighting is automatically turned on to make controls on the dashboard easy to see even in a low light environment in your home. It is powered by a 9 volt battery so it will continue to work during power outages.

Comfort Control™ Feature:

With the push of a switch the Comfort Control will turn off the rear burner (side burners on Seattle Diamond-Fyre) while leaving the front burner on for an attractive flame appearance when less heat output is the priority. This feature along with the flame adjustment offers a turn-down ratio of up to 73 percent (NG) and 81% (LP). The flexibility of the GreenSmart Comfort Control offers a more efficient way to heat the room by only burning the amount of fuel needed to keep you warm.



Continuous Pilot or GreenSmart Pilot:

Run your fireplace in continuous pilot mode where the pilot flame continually stays on; ideal during periods of extreme cold when maintaining a warm flue ensures reliable operation. For maximum efficiency run in the GreenSmart mode, where the pilot flame ignites via an intermittent pilot ignition (IPI) thus conserving energy when the fireplace is not being operated. The GreenSmart system includes an automatic battery back-up, ensuring proper ignition even during power outages.

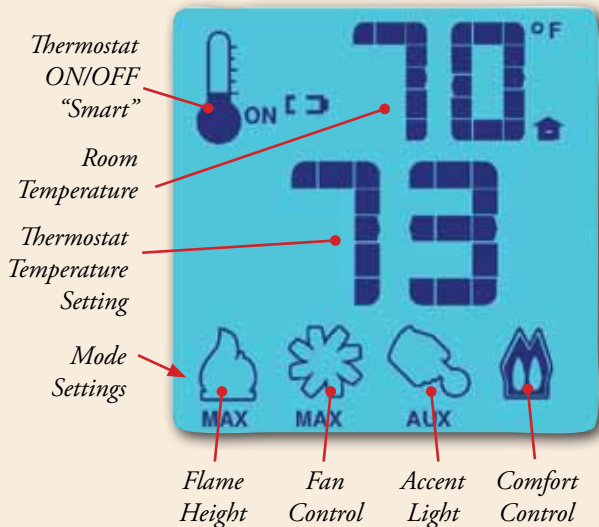
GreenSmart Fuel and Cost Savings:

Example: A standing pilot fireplace uses .552 therms of gas each day. The average therm of natural gas is \$1.10, or \$0.60 to run every day - no matter if the fireplace is on or off. 365 days of standing pilot usage equates to 201 therms of gas or \$219. Propane can run up to three times this cost.

The GreenSmart System helps you save on both energy usage and your heating bill.

Upgrade To The GreenSmart Remote Control System:

The GreenSmart™ remote offers the ultimate in convenience from any location within 25 feet of your fireplace and a docking station for wall mounting the remote. All features are controlled via the remote control with the exception of the pilot switch.



- **Manual Settings :**
- Fire ON/OFF and adjust flame height

- **Programmable Thermostat:**
Thermostat control setting turns fire automatically ON and OFF to maintain set temperature.

Use your smart phone or iPad™ to watch a video of how this GreenSmart™ remote works.
<http://vimeo.com/13502191>



- **"Smart" Thermostat:**

Smart mode allows the fireplace to automatically adjust the flame height based on the temperature set via the GreenSmart remote control's thermostat. The flame will modulate from low to high, or high to low until the set temperature is reached, thus conserving fuel and maximizing heating ability while extending the viewing pleasure of the fire. The "Smart" mode also keeps the flame and blower operation closer in sync. When the desire room temperature is reached the flame will shut down. Since the fireplace has gradually decreased the fire and the internal firebox temperature your convection blower will now run for a shorter time after the fire has gone off.

- **Additional Features Controlled By the GreenSmart Remote:**

- Fan ON/OFF and adjust speed
- Accent light ON/OFF
- Comfort Control™ ON/OFF

Additional Remote Control and Wall Thermostat Options

Avalon's remote control and wall thermostat options make the operation of your fireplace as easy as setting the temperature on the remote or wall thermostat or pushing a button from the comfort of your living room chair.

REMOTE -

This remote offers ON/OFF, manual or programmable thermostat, sleep timer and clock function.

WALL THERMOSTAT -

The wall thermostat can be wired up to 25 feet from the fireplace and allows you to set your desired room temperature.



Basic Remote Thermostat



Wall Thermostat

Award-Winning Ember-Fyre™ Burner

Ember-Fyre Burner U.S. Patent #6,602,068, #6,443,726 and other patents pending

Ember-Fyre™ Burners are featured on the Hideaway TRV, Seattle HO and Winthrop HO

Popular Science® magazine awarded the prestigious “Best of What’s New” award to the Ember-Fyre as one of the year’s top achievements in Science and Technology. This combustion system delivers an efficiency over 80%. The level of realism is so remarkable it is difficult to tell apart from our wood burning appliances. Unlike other gas burners, the pilot is hidden. There are no burner tubes or metal pans to interfere with the realism and the fire and glowing embers are just as beautiful on the low flame setting as they are on high.

Is It A Wood Or Gas Fire? How It Works.

(1.) Natural gas or propane is piped to a sophisticated SIT™ gas valve and started with the IPI ignition system to provide reliable, continuous operation even if the power goes out in your home.

(2.) The low-pressure gas then flows to a precisely engineered burner orifice.

(3.) Hidden mixing tube mixes the gas with outside air. The standard mix is set by the installer to compensate for variations in altitude, fuel type, and line pressure for a beautiful “showroom fire”.

(4.) The gas/air mixture flows through a unique array of burner ports in the ceramic base, where it ignites and burns.

(5.) As the Ember-Fyre burner heats up to a deep red 1200°F, it mimics the look of glowing wood embers and charred logs. Dancing yellow flames further enhance the look and feel of a real wood fire.

(6.) Artisan designed logs. The Ember-Fyre burner features incredibly realistic log. The logs designed by our in-house sculpture are patterned off real burner wood. This combination detailed logset, glowing embers and realistic wood-like fire will have you and your friends asking yourself - is it a wood or is it a gas fire?



Additional Fireplace Options



Extra Room Power Heat Duct Kit Option

Send heat directly to additional room(s) in your home with the Extra Room Power Heat Duct Kit. This venting option delivers heat off the fireplace to additional zones within your home. This allows you to heat more of your home more quickly. At the time of framing determine where you want to direct the heated air - upstairs, downstairs or anywhere in your home within 20 feet of the fireplace. Each Power Heat Kit comes with its own blower that can be controlled with a rheostat within the room the vent is installed. The power heat duct will produce approximately 100 to 110 degrees F temperatures at the vent opening.



Seattle HO

One or Two Power
Heat Duct Kits

Winthrop TRV

One Power Heat
Duct Kit

Winthrop See-Thru

One Power Heat
Duct Kit

Winthrop HO

One or Two Power
Heat Duct Kits

Convection Fan

All Avalon fireplace come with built in heat exchange systems and convection chambers that naturally circulate warm air throughout your home. You can increase the movement of heat into the room with a quiet convection fan. A convection fan helps quickly move heat off the fireplace and transfer it into your living space. The Seattle HO and Winthrop HO have the Convection Fan as a standard feature. The convection fan on the Hideaway TRV, Seattle SS, Seattle Diamond-Fyre, Winthrop TRV and Winthrop ST are optional and can be ordered separately.

Hideaway TRV - 90 CFM (Optional)

Seattle Space Saver -180 CFM (Optional)

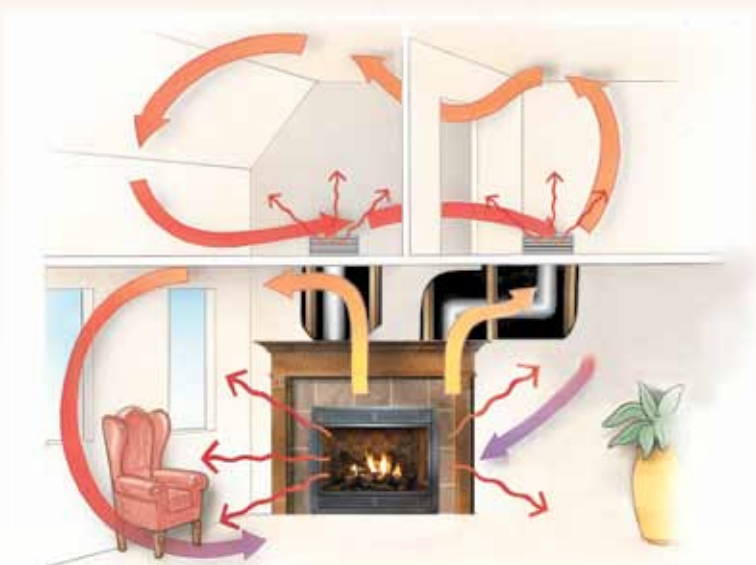
Seattle Diamond-Fyre -180 CFM (Optional)

Seattle HO -180 CFM (Standard)

Winthrop TRV - 180 CFM (Optional)

Winthrop See-Thru -130 CFM (Optional)

Winthrop HO -260 CFM (Standard)



Additional Fireplace Information



Child and Pet Safety

Children, like most of us, are fascinated by fire, and for families with young children, fireplaces pose a potential safety hazard. Take the time to educate young children about the dangers of fire and hot surface temperatures of glass and metal surrounding the fireplace. If you have an infant or toddler or even a pet consider installing a fire screen; make sure it's tall enough so that children can't climb over it, and that it's placed far enough away so that reaching arms can't touch the surfaces of the fireplace. A few precautions such as these will allow everyone in your home to safely enjoy the comfort and warmth of your new Avalon gas fireplace.

Covered Outdoor Room

The Outdoor living room is the most asked for room addition found in new home construction and remodels. Now you can add the beauty of fire to your outdoor living environment with a fireplace by Avalon. All the gas fireplaces in this brochure are approved for outdoor installation when installed in a covered porch or if the fireplace is protected by a roof overhang. Note: The Winthrop ST is not designed as an indoor/outdoor fireplace and cannot be placed in an exterior wall. In addition to maintaining listed mantel and combustible clearances, a rain protection overhang factor of 0.5 must be constructed to the front and to each side of installed appliances. Example: a porch roof is 8 feet above the patio floor, the fireplace would require the roof line to extend a minimum 4 feet beyond the fireplace face. All wiring connections to power must be in accordance with outdoor requirements of NECA NFPA70 with a GFI circuit.



Installation Information



Relationships Matter

We want you to be happy — ecstatic even — with your new Avalon gas fireplace. Each of our authorized dealers do too. They're experienced and knowledgeable about our products, and they are eager to assist you in choosing fuel types, estimating heat needs, evaluating venting and clearance requirements, and more.

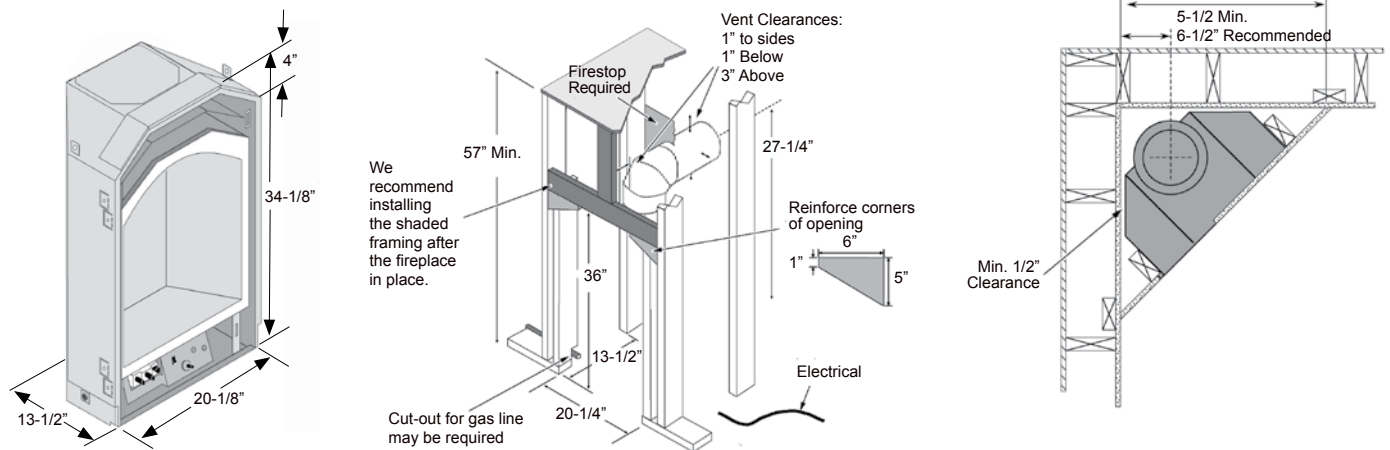
When it comes time for installation and maintenance (definitely not do-it-yourself projects), our dealers will be happy to provide that service or put you in touch with certified specialists to ensure that the installation is not only safe, but provides the performance and results you expect from Avalon products.

Stop by your local Avalon Firestyle center today. There's a great relationship waiting to happen.

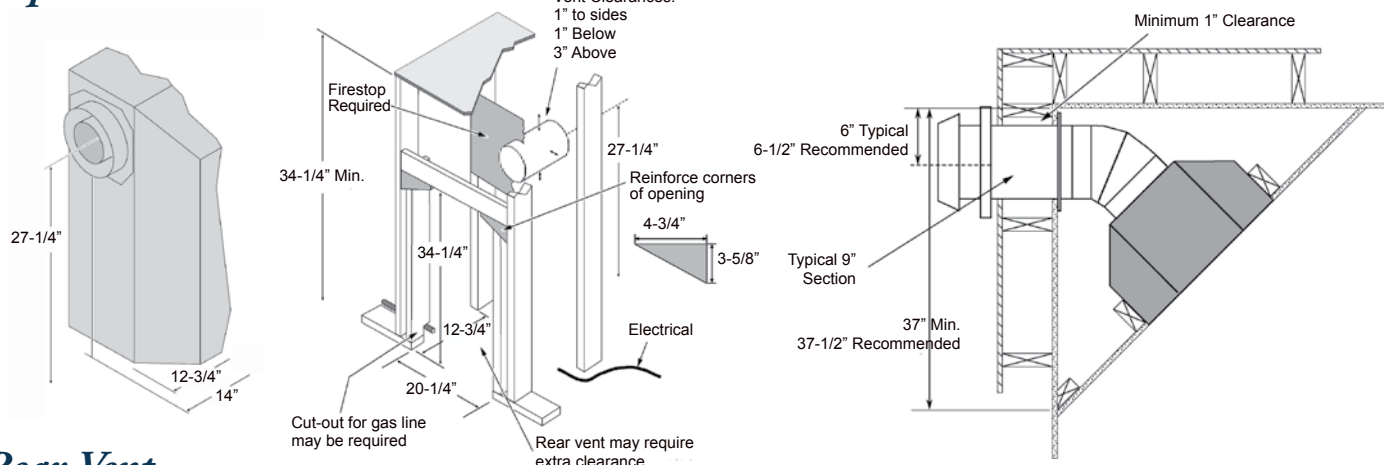
Installation & Safety Information

The information within this section is for basic reference only. Only use the product Installation Manual for the installation of your Avalon gas fireplace. Owner's Manuals can be found within the Owner's Pack that comes with the appliance, on the Avalon website - www.avalonfirestyles.com or through your authorized Avalon dealer. Improper installation of your gas appliance or failure to operate it in accordance to the guidelines detailed in the Owner's Manuals may negate your warranty and endanger your home and family.

Hideaway TRV (Top or Rear Vent)



Top Vent

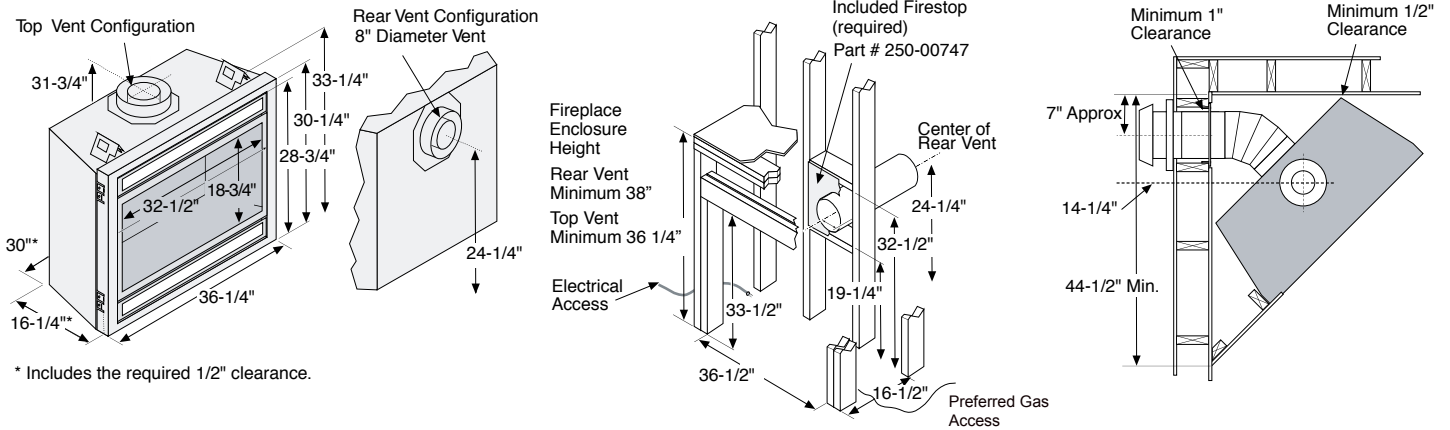


Rear Vent

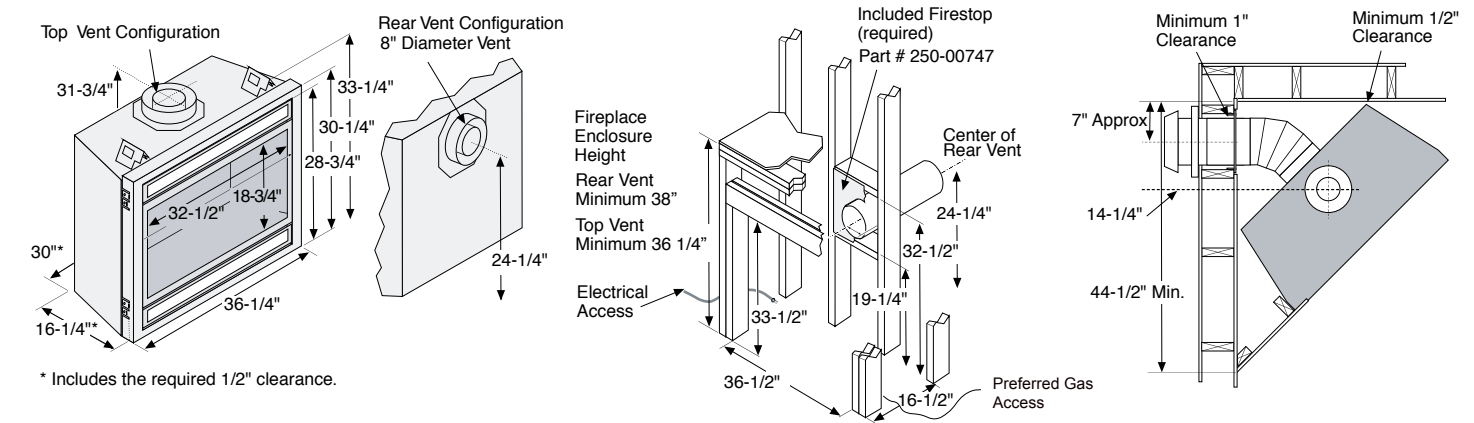
Rear vent may require extra clearance

Installation Information

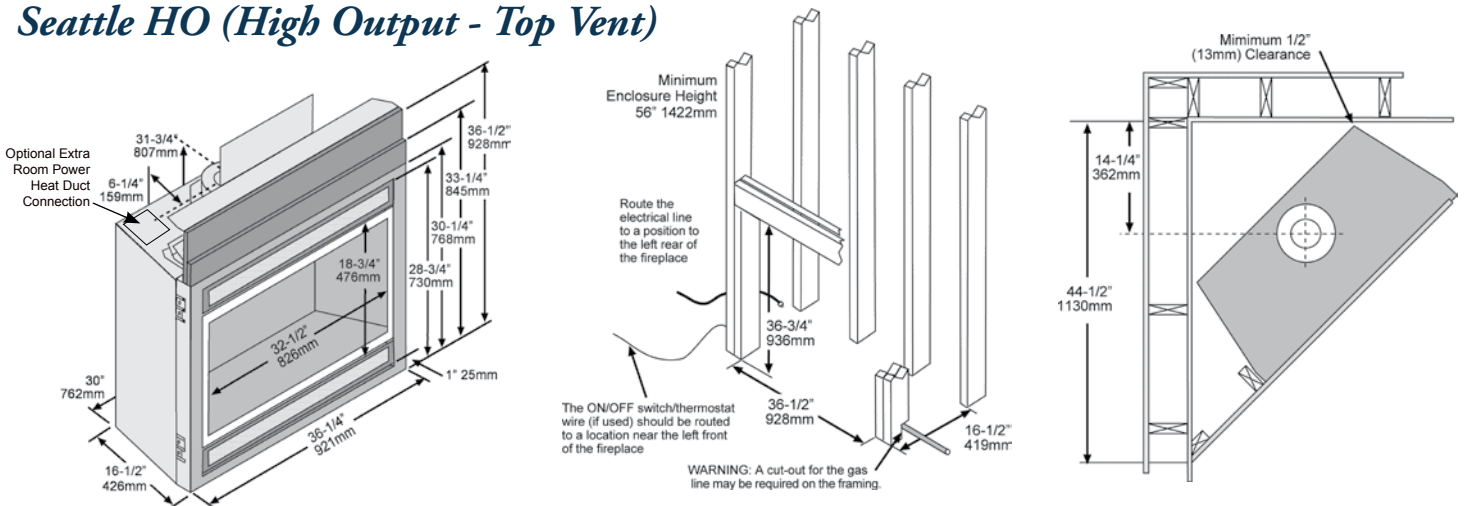
Seattle SS (Space Saver - Top Vent/Rear Vent)



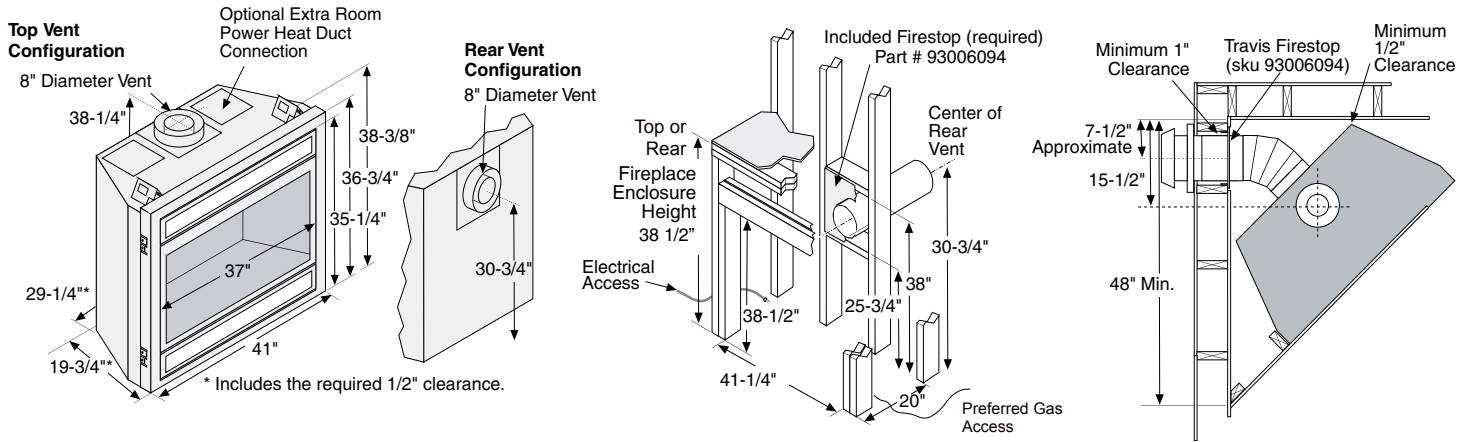
Seattle Diamond-Fyre (Top Vent/Rear Vent)



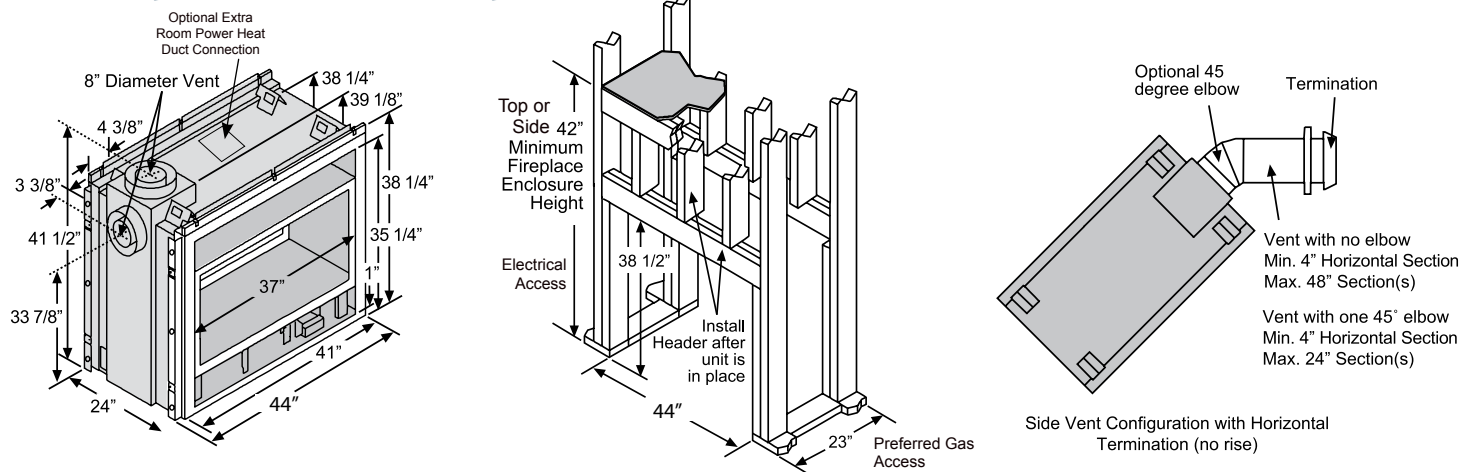
Seattle HO (High Output - Top Vent)



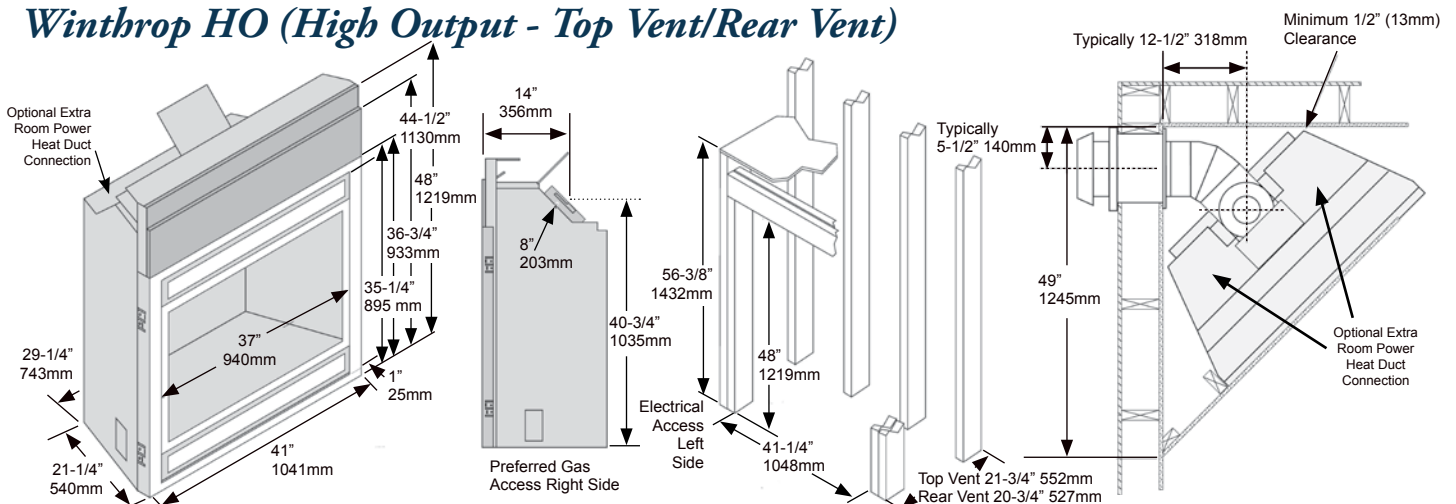
Winthrop TRV (Top Vent/Rear Vent)



Winthrop ST (See-Thru - Top Vent/Side Vent)



Winthrop HO (High Output - Top Vent/Rear Vent)



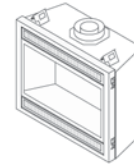
Fireplace Specifications

Avalon GreenSmart Gas Fireplaces

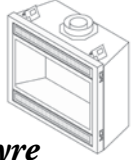
Hideaway TRV



Seattle Space Saver



Seattle Diamond-Fyre



Specifications The dimensions and clearances on this page are for reference only. Refer to the Owner's Manual prior to installation.

Height - including standoffs	35 7/8"	33 1/4"	33 1/4"
Width	20 1/8" Front	36 1/4"	36 1/4"
Depth	13 1/2"	16 1/4"	16 1/4"
Flue Diameter	8" (Top Vent reduces to 6 5/8")	8" - Top Vent reduces to 6 5/8"	8" - Top Vent reduces to 6 5/8"
Unit Weight	97 lbs.	155 lbs.	155 lbs.
Burner System	Ember-Fyre	2 Stage Pan Burner	2 Stage Pan Burner
Glass Area	17 5/8" W x 23 1/4" H - 394 sq. in.	31 3/8" W x 18 1/8" H - 564 sq. in.	31 3/8" W x 18 1/8" H - 564 sq. in.
Powerful Fan	90 CFM - Optional	180 CFM - Optional	180 CFM - Optional
Power Heat Duct Option	No	No	No

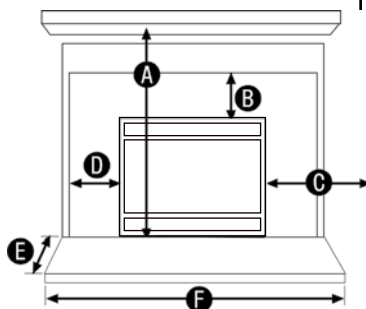
Performance

*Gas appliance performance can be affected by negative pressure in the home and by prevailing atmospheric conditions. Efficiency may vary depending on vent configuration and atmospheric conditions. Contact local building or fire officials about restrictions and installation requirements in your area.

Heating Capacity*	Up to 650 Sq. Ft.	Up to 950 Sq. Ft.	Up to 950 Sq. Ft.
Input High/Output Low NG*	16,500 (H) 3,780 (L)	20,500 (H) 5,100 (L)	20,500 (H) 5,100 (L)
Input High/Output Low LP*	16,500 (H) 3,150 (L)	20,500 (H) 4,200 (L)	20,500 (H) 4,200 (L)
Steady State Efficiency*	82.2% NG, 79.5% LP	76.5% NG, 78.3% LP	76.5% NG, 78.3% LP
P4 Canadian Efficiency	65.2% NG, 68.97% LP	67.7% NG, 70.11% LP	67.7% NG, 70.11% LP

Combustible Clearances

Always consult the Owner's Manual before beginning any installation. Installation and framing information is available at your local Avalon dealer or on our website at www.avalonfirestyles.com



All measurements are taken from the fireplace face.

- A= To Mantle
- B = To Top Facing
- C = To Sidewall
- D=To Side Facing
- E= Front Hearth
- F = Hearth Width

The Hideaway fireplace requires a 1" minimum clearance from face to sidewall. Combustibles can be installed up to the stand-offs on the unit. If a mantle is used please see Owner's Manual for minimum clearances.

The height of the Hideaway fireplace enclosure must be a minimum of 48" above the base of the fireplace.

If placed on a raised hearth, the ceiling above the Hideaway must be at least 57" measured from the base of the fireplace.

- A= 38 1/2"*
- Measured from base of fireplace
- B= 0"
- C= 1"
- D = 0"
- E = None Required
- F = None Required

* Will vary depending on mantle depth. 0 to 12" maximum mantle depth. See Installation and Owner's Manual for details.

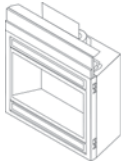
- A= 38 1/2"*
- Measured from base of fireplace
- B= 0"
- C= 1"
- D = 0"
- E = None Required
- F = None Required

* Will vary depending on mantle depth. 0 to 12" maximum mantle depth. See Installation and Owner's Manual for details.

Note: Each face plate design varies in dimension slightly

Tested and Listed by OMNI-Test Laboratories, Inc. or Intertek Testing Service to ANSI Z21.88b-2001 "Vented Gas-Fired Direct Fireplace Heater." Must be installed in accordance with all local codes, if any; if not, follow ANSI Z223.1 and the requirements listed in the Owner's Manual.

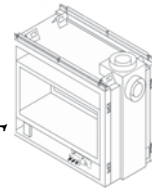
**Seattle HO
High Output**



**Winthrop
TRV**



**Winthrop ST
See-Thru**



**Winthrop HO
High Output**



36 1/2"
36 1/4" Front 30" Back
16 1/2"
8" - Top Vent reduces to 6 5/8"
219 lbs.
Choice of four burners
31 3/8" W x 18 1/8" H - 564 sq. in.
180 CFM - Standard
Yes - One or Two

38 3/8"
41"
19 3/4" includes 1/2" clearance
8" - Top Vent reduces to 6 5/8"
181 lbs.
Dancing-Fyre
36" W x 24" H - 864 sq. in.
180 CFM - Optional
Yes - One

38 1/4"
41"
24"
8" - Top Vent reduces to 6 5/8")
310 lbs.
Dancing-Fyre
36" W x 24" H x 2 - 1728 sq. in.
130 CFM - Optional
Yes - One

48"
41"
21 3/4" includes 1/2" clearance
8" - Top Vent reduces to 6 5/8"
394 lbs.
Ember-Fyre™
36" W x 24" H - 864 sq. in.
260 CFM - Standard
Yes - One or Two

Up to 1,400 Sq. Ft.
35,000 (H) 10,400 (L)
35,000 (H) 7,500 (L)
72% NG, 73% LP
64% NG, 66% LP

Up to 1,400 Sq. Ft.
31,000 (H) 6,700 (L)
31,000 (H) 5,200 (L)
80% NG, 81% LP
68.36% NG, 67.79% LP

Up to 1,500 Sq. Ft.
37,500 (H) 14,700 (L)
37,500 (H) 10,000 (L)
79.5% NG, 80.1.5% LP
70.77% NG, 70.71% LP

Up to 2,500 Sq. Ft.
46,700 (H) 12,500 (L)
46,700 (H) 9,000 (L)
81.5% NG, 81% LP
71.57% NG, 72.22% LP

A= 48 3/4"*
Measured from base of fireplace
B= 0"
C= 12"
D = 1/2"
E = None Required
F = None Required

* Will vary depending on
mantle depth. 0 to 12"
maximum mantle depth.
See Installation and Owner's
Manual for details.

Note: Each face plate design
varies in dimension slightly

A= 40 3/4"*
Measured from base of fireplace
B= 0"
C= 1"
D = 0"
E = None Required
F = None Required

* Will vary depending on
mantle depth. 0 to 12"
maximum mantle depth.
See Installation and Owner's
Manual for details.

Note: Each face plate design
varies in dimension slightly

A= 48 3/4"*
Measured from base of fireplace
B= 0"
C= 3 1/4"
D = 0"
E = None Required
F = None Required

* Will vary depending on
mantle depth. 0 to 12"
maximum mantle depth.
See Installation and Owner's
Manual for details.

Note: Each face plate design
varies in dimension slightly

A= 44 3/4" to 53 3/4"*
Measured from base of fireplace
B= 0"
C= 1"
D = 0"
E = None Required
F = None Required

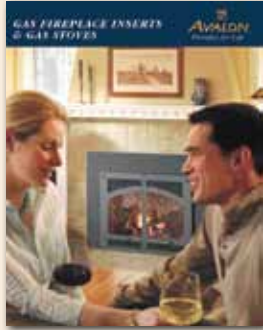
* Will vary depending on
mantle depth. 0 to 12"
maximum mantle depth.
See Installation and Owner's
Manual for details.

Note: Each face plate design
varies in dimension slightly.

All Avalon firestyles are proudly made in the U.S.A.



*Wood Burning
Catalogs*



*Gas Stoves and Inserts
Catalog*



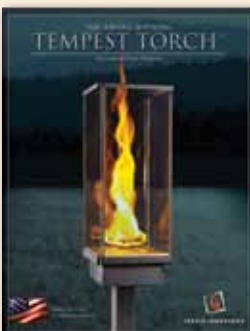
*Pellet Stoves and Inserts
Catalogs*



*Electric Fireplace
Catalogs*



*Gas Stove
Catalogs*



*Tempest Gas Torch
Catalog*

Avalon Wood, Gas, Pellet & Electric Products

With the Avalon product line all the elements come together: architectural styling, innovative technology and dedicated craftsmanship, offering you a dream-fulfilling heating solution for every part of your house. Avalon manufactures steel and cast iron wood burning products, a steel and cast iron gas stove and insert line, a steel and cast iron pellet stove and insert collection and gas and electric fireplaces. We hope our products will bring enjoyment, warmth and many pleasant hours spent in front of an Avalon of your choice.

Avalon Dealers are chosen to present our products because of their commitment to you, the customer. They are trained to provide the best possible sales experience, assist you in selecting the right hearth appliance and provide proper installation to ensure flawless operation.

They are truly your local hearth product specialists.

How to use the QR Codes in this brochure:

Open the app. Point the camera at the QR Code and hold still. No need to push any buttons! The app will automatically direct you to the website.

Need a QR Code Reader?...Which smart phone do you have?

BlackBerry Users...

Open Instant Messenger - Select BlackBerry Messenger - Click "Scan A Group Barcode"

iPhone/iTouch/iPad and Other Smart Phone Users...

Visit i-nigma.mobi to download the application.

Android Users...

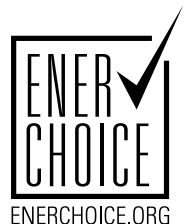
Open the built-in Barcode Scanner application or visit i-nigma.mobi to download the application.

i-nigma Setting Change:

Click Menu - Settings - Change Browser to "Phone's browser" (Please make sure the software on your phone is up to date).



www.avalonfirestyle.com
Manufactured in Mukilteo, WA



We reserve the right to improve or change our products at any time without prior notification. - Please refer to the Owner's Installation Manual for complete installation requirements. Photos and illustrations are for descriptive purposes only. Copyright ©10/2011 T. I. #98800363