

AGP (All Grades Pellet) Pellet Burning Stove



Easy to operate...

What is a pellet stove?

The Avalon AGP pellet stove offers all the benefits of wood heating plus fuel that is clean, compact and easy to use. The pellets are made from all-natural wood by-products. They are safe for the environment and are a renewable resource. The AGP pellet stove is designed to efficiently burn ALL GRADES of wood pellets to produce a quick, convenient heat. You can operate our pellet appliances with a wireless wall thermostat to maintain your desired room temperature or use the remote control to program room temperature and shut-off time.

The EPA has certified the AGP as extremely clean burning - producing less than 1 gram of emissions per hour making our appliances exempt from state mandated burn bans. Pellet fuel is also price competitive. To compare cost on heating with pellets, visit www.avalonfirestyles.com and go to the "Cost of Heating Calculator" on the bottom of the home page and enter your local pellet fuel cost and the appliance efficiency of 72%.

The AGP pellet stove is designed as an efficient home heater heating up to 2,000 square feet. The huge 80 pound hopper offers one of the largest pellet capacities of any freestanding pellet stove on the market. With the hopper full and the burn rate set to low, you can expect up to 57 hours of continuous heat without refueling.

The AGP uses high grades of 304 and 309 stainless steel in areas of the firebox where the combustion intensifies at its highest. Even the firebacks are made from stainless steel, not ceramic or aluminum. The AGP pellet stove is engineered with quality throughout for excellent daily performance and long-life reliability and is backed by our "Real World" Seven Year Warranty.

State-of-the-Art Control Panel

Simple Operation Control Board - The stove operation is controlled by an easy to understand control board.

Five easy to use functions

- | | |
|-----------------|--|
| 1. Start Button | Starts the stove |
| 2. Stop Button | Stops the stove |
| 3. Heat Control | Adjust the heat output from low to high. 1.4 lbs – 5 lbs per hour |
| 4. Fan Control | Adjust the room air fan to move air through the stove and into the home. |
| 5. Thermostat | Allows the stove to be controlled by a remote thermostat. |



Easy to live with...



Designed to burn all grades of wood pellets

Why Do We Call it the AGP?

We've designed the new AGP to burn "All Grades of Pellets." From the hopper to the ashpan we have designed in features that allow you to burn low grade pellets as efficiently and effectively as possible. With its unique fuel delivery system we've eliminated many of the maintenance headaches previously associated with owning a pellet stove.

- **NO Over Feeding**
- **NO Problem With Pellet Fines Blocking the Auger**
- **NO Burn Back**

The heart of the system is the Horizontal Rotary Disc (HRD). Its purpose is twofold; (1) It controls the amount of fuel that leaves the hopper and enters the auger. (2) No direct path between the burning fuel, the auger and hopper eliminating any chance of burn back.



HRD Rotary Disc Feed System

As the layered disc rotates fuel leaves the hopper and enters the holding area: the space between the hopper and the drop zone. The disc rotates 180 degrees before the holding area opens into the fuel drop zone, allowing the fuel to drop onto the auger. By doing this the two openings (upper and lower) are never simultaneously aligned, thus delivering a precise amount of fuel and eliminating any chance for a burn back.

The Horizontal auger moves the fuel from the drop zone to the inclined firepot. By being horizontal it offers two distinct advantages;

- (1) Along with the pellets it moves the pellet fines onto the burn platform to be burned instead of causing a potential maintenance issue - *more heat less waste*
- (2) Less stress on auger motor - *longer life with years of smooth, quiet operation*



Stainless Steel Burn Platform

Burn Platform – This is where intense combustion occurs. The design and materials used in the burn platform has everything to do with long life of the components and a happy homeowner. The burn platform is made of long life high-grade 309 stainless steel and is 3/16" thick. The inclined floor of the firepot is at a 14 degree angle, and that is very important to the combustion performance. At 14 degrees it is self tuned to burn the fuel completely and still maintain its self cleaning benefit. As new fuel enters the platform ash and particulate matter is pushed into the ashpan for easy removal as routine maintenance dictates. By being self cleaning the homeowner is rarely required to remove any unburned clinkers. But if it is necessary to assist the system the burn platform cleanout tool provided does it with ease.

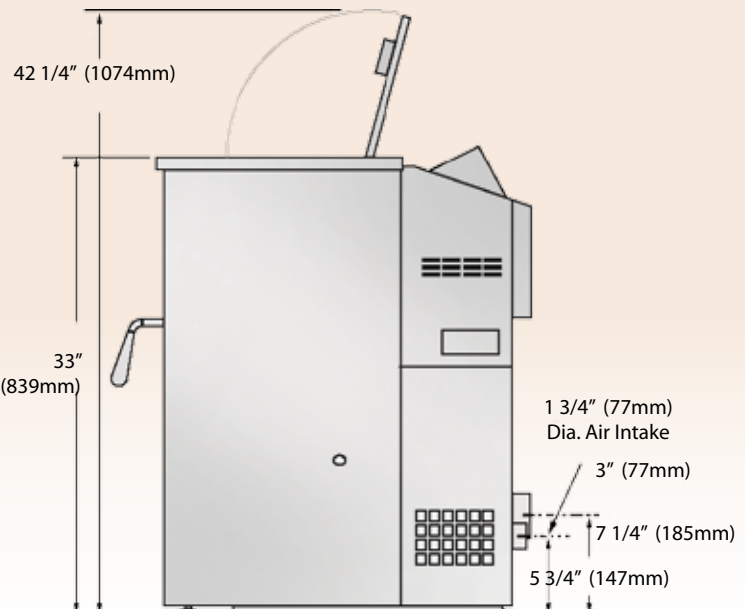
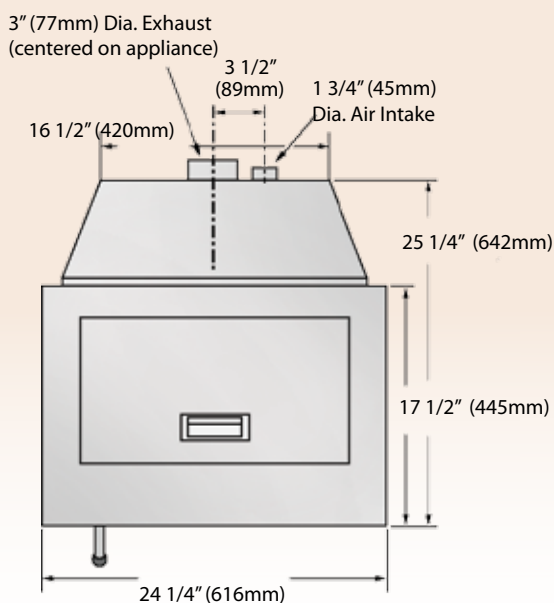
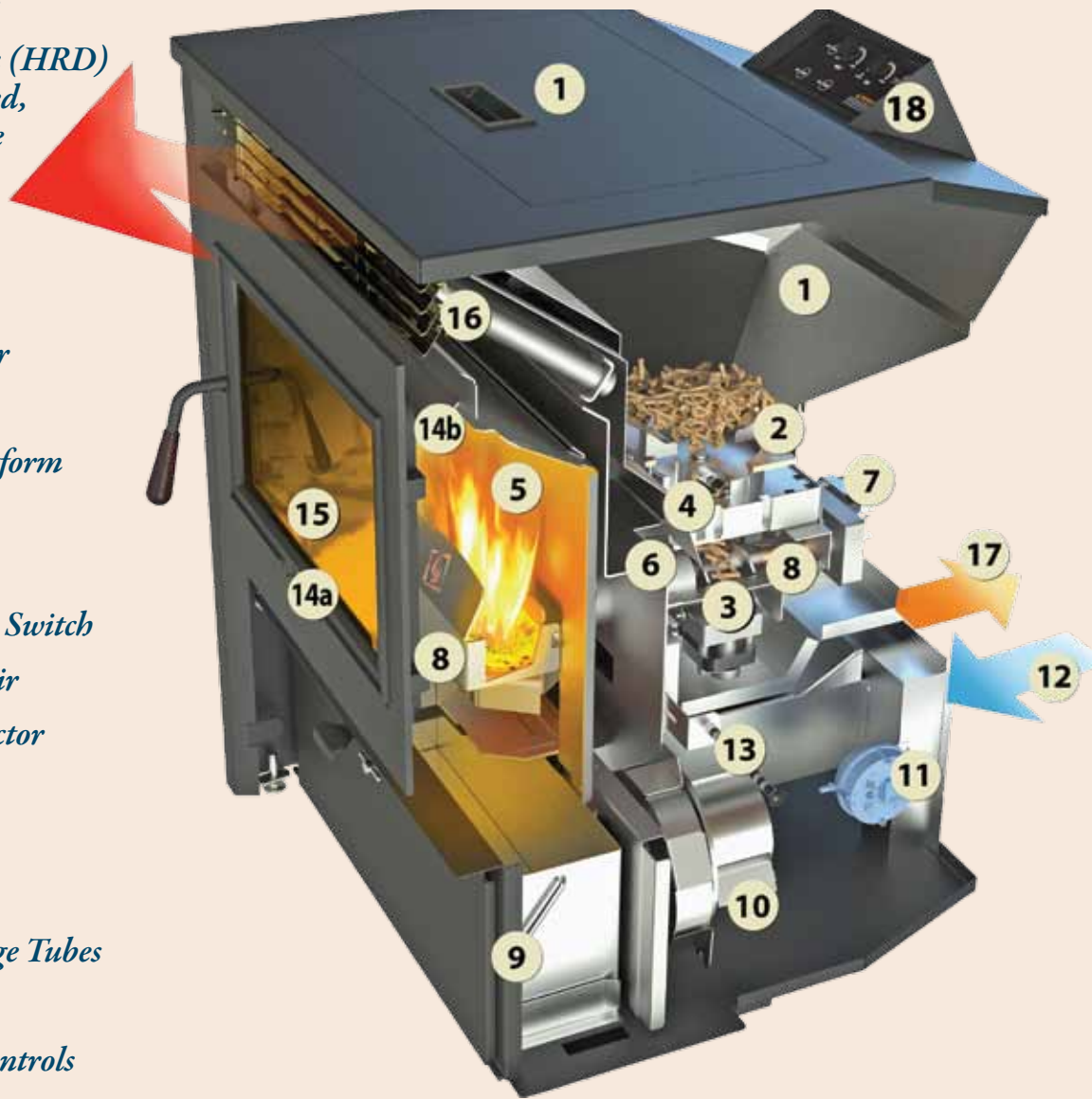
Hopper Capacity	Heating Capacity*	Burn Times	Turn Down Ratio	Btu/Hour Range	Burn Rate Per Hour	Glass Area
80 lbs.	800 to 2,000 Sq. Ft.	On Low - 57 Hours On High - 21 Hours	72%	Low -11,480 High - 41,00	1.4 lbs. on Low 5 lbs. on High	321 Sq. In.

* HEATING CAPACITY may vary depending on the degree of home insulation, floor plan and ambient temperature zone of the area in which you live. BTU/Hour range will vary with the quality, size and brand of pellets used.

Easy to own!



1. 80 lbs. Capacity Hopper
2. Horizontal Rotary Disk (HRD)
Feed with Case Hardened,
Replaceable Shear Blade
3. Drive Motor for HRD
4. Pellet Holding Chamber
5. Fire Chamber
6. Primary Fuel Feed Auger
7. Drive Motor for Auger
8. Stainless Steel Burn Platform
9. Ash Pan
10. Combustion Fan
11. Negative Pressure Flow Switch
12. Outside Combustion Air
13. Combustion Air Restrictor
- 14a. Air Wash (Bottom)
- 14b. Air Wash (Top)
15. Ceramic Door Glass
16. External Heat Exchange Tubes
17. 3" Exhaust
18. Easy to Understand Controls





Easy To Maintain

Easy To Live With!

Easy to live with – how does it work?

Just fill the hopper and walk away...almost. With all pellet stoves there are things you need to do to keep them running. The Big Three are:

- Clean the stove
- Clean the stove
- And keep the stove clean

WHY???? Pellets cost money.

By cleaning your pellet stove you will burn less pellets and get maximum heat output saving you money.

The new Avalon AGP pellet stove does the basic maintenance for you. When it comes to monthly and annual maintenance it is simple and requires no special tools. The complete system can be cleaned in a matter of minutes.



Air Tube Scraper Tool

Optional Thermostat and Remote

The AGP pellet stove features GreenSmart™ technology that allows the stove to automatically adjust the flame and heat output - up to 72% with out shutting down and recycling the start-up mode as most pellet stoves do. This feature is designed to give you the ability to operate your pellet stove with multiple thermostat systems.

1. Wired wall thermostat.
2. Remote control hand held thermostat.
3. Wireless wall mounted multi-function thermostat.



Easy To Operate

The GreenSmart thermostat system allows the homeowner to customize the control board to adjust the heat output once the room reaches a desired setting. You can select from 3 different pre-set sequences to use less fuel and reduce heat swings for a more balanced heat output. The best part is it's just the push of two buttons to accomplish this and the instructions are easy to understand and can be found in the Owner's Manual and Home Owner's DVD.



*Add a Custom Color
Ask your dealer for details*



Wall Thermostat



Wireless Wall Mount Thermostat



Remote Control

All Avalon firestyles are proudly made in the U.S.A.

Use these illustrations as a guide only. For complete installation instructions please refer to your Avalon Dealer or go to the AGP Pellet product page at www.avalonfirestyles.com.

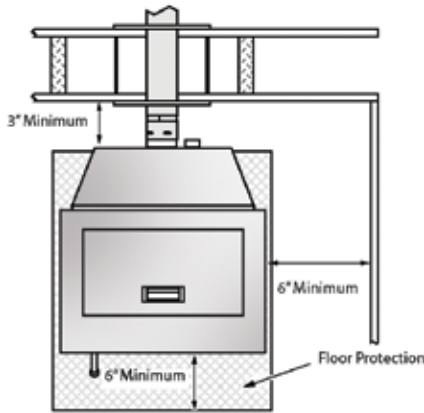
NOTE: Improper installation of your pellet appliance or failure to operate it in accordance to the guidelines detailed in the Owner's Manual may negate your warranty and endanger your home and family.

Minimum Clearances To Combustible Walls

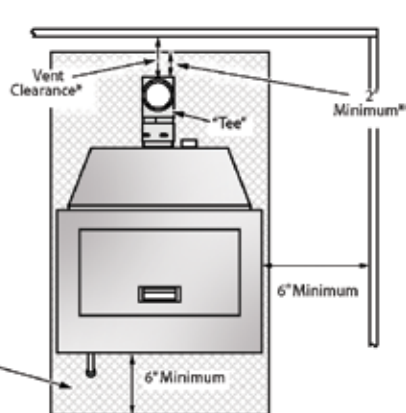
Stove clearances measured from Top of Stove. Connector clearances measured from exhaust vent.

Straight Wall

Through The Wall Installation



Interior Vertical Vent Installation



Floor Protection

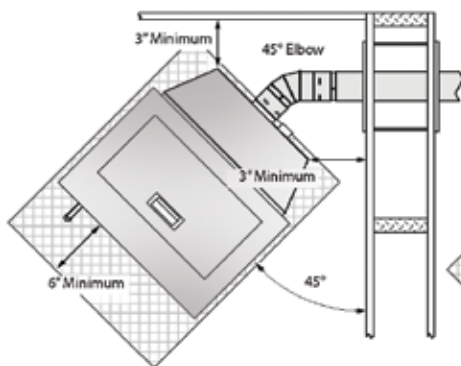
The pellet stove must be installed on a non-combustible surface protector extending the full width and depth of the heater and extending 6" (153mm) in front and 2" (51mm) to each side and under the rear exhaust Tee. Hearth protection must be a minimum .018" thick (26 gauge).

Alcove Requirements

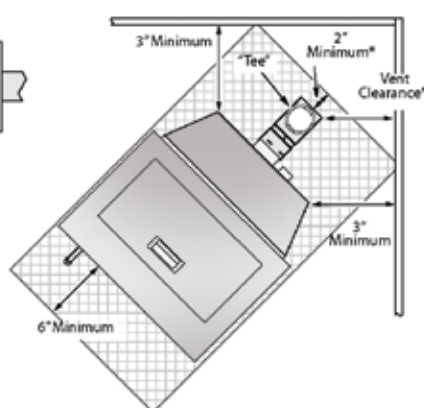
When installed in an alcove, with a ceiling height less than 7 ft (2.134 M).

- Minimum Height is 60" with 6" side and 3" rear clearance to wall
- Minimum Width is 36-9/16" with min. clearance of 3" for horiz. venting.
- Maximum depth is 48" with minimum clearance of 2" from pipe for vertical venting.

Corner Through The Wall Installation



Interior Vertical Vent Installation



Child Safety

If you have small children or even pets, we highly recommend you consider purchasing a safety screen or guard to prevent the possibility of burns resulting from accidental contact with the hot surfaces of the stove. Ask your Avalon dealer for their recommendations on safety options for your particular installation.

Testing

Listed Pelletized Solid Fuel Burning Appliance. Also for use in mobile homes. Certified for the US and Canada. Conforms to ASTM E1509-04, Room Heater Pellet Burning Type (UM) 84 HUD; Certified to ULC S627. Tested and listed for mobile homes in accordance with OAR 814-23-900 through 814-23-909. Tested and Listed by Intertek ASTM E1509-4.



See the wide range of Avalon products at: www.avalonfirestyles.com

We reserve the right to improve or change our products at any time without prior notification. Please refer to the Owner's Manual for complete installation requirements. Photos and illustrations are for descriptive purposes only. All rights reserved Copyright 2012 T. I. #98800577